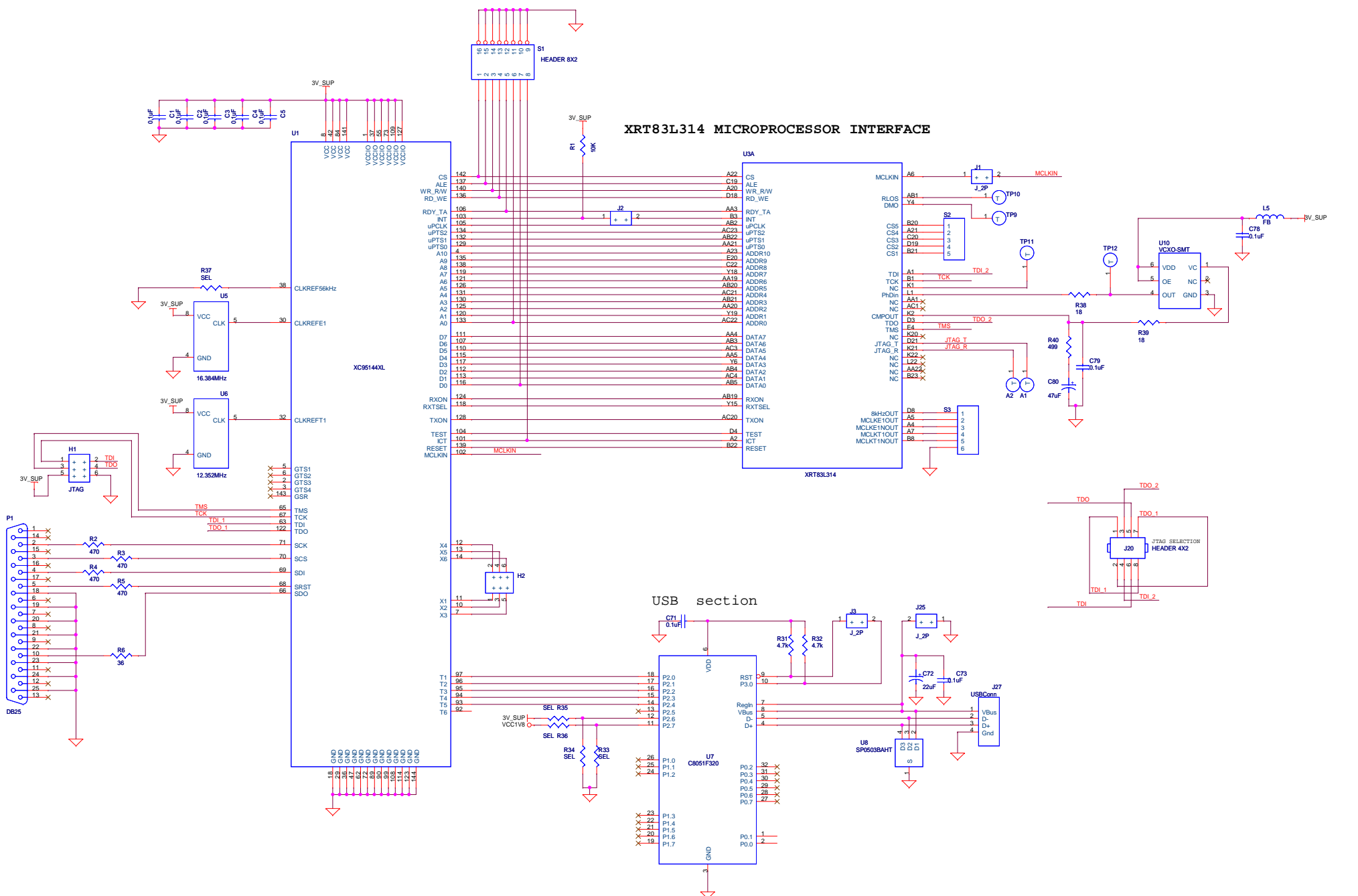
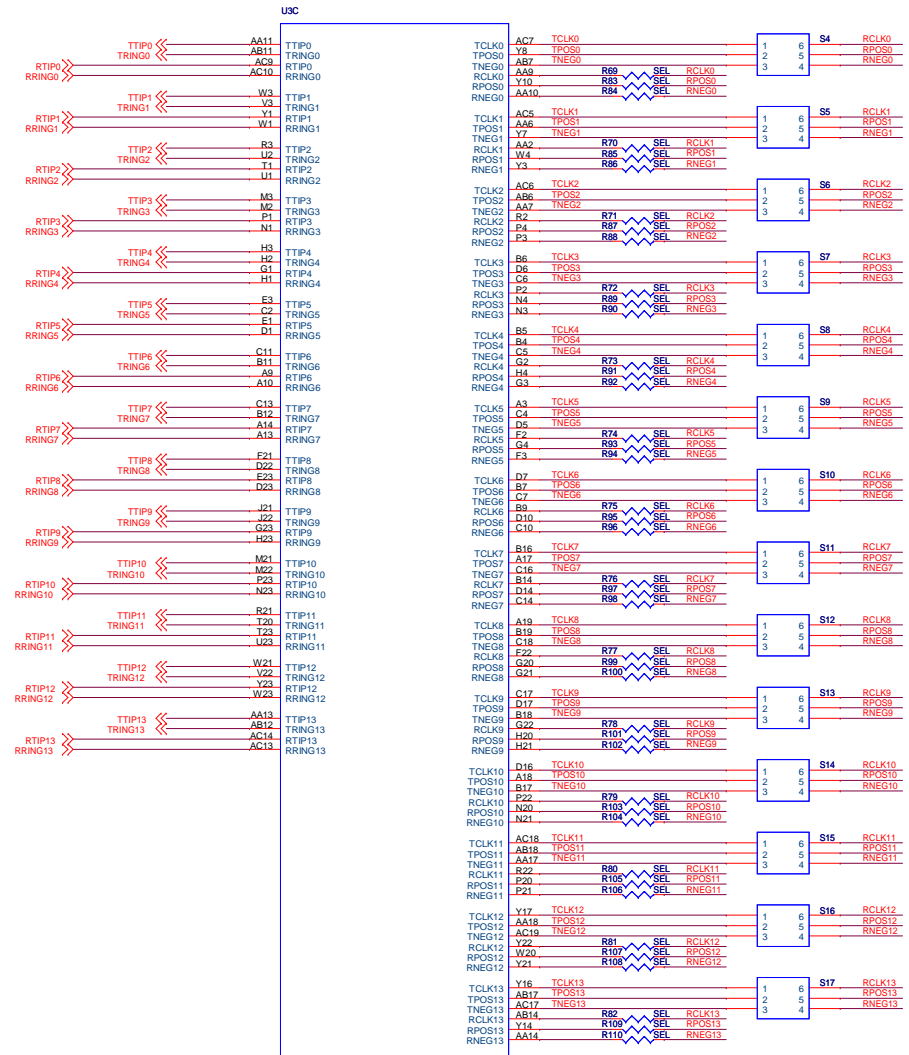


# XRT83L314 MICROPROCESSOR INTERFACE

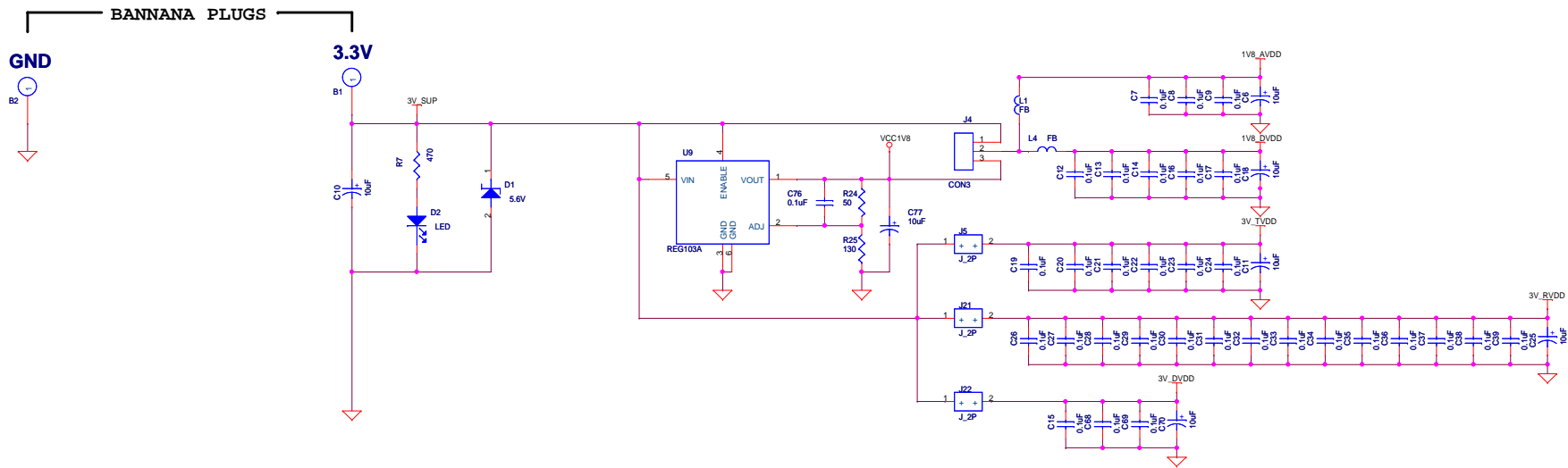


|  |  |              |
|--|--|--------------|
| Design File Name - H:\XRT83VSH314\SCHEMATIC\XRT83L314E.DSN |  |              |
| <b>EXAR AD Infinitum</b>                                   |  |              |
| File   | XRT83L314/L314/SH314/VSH314              |              |
| Size   | Document Number                          | Rev          |
| C  | XRT83L314/L314 LONG HAUL, SHORT HAUL LIU | E            |
| Date:  | Friday, February 18, 2005                | Sheet 1 of 4 |

### XRT83L314 ANALOG INTERFACE

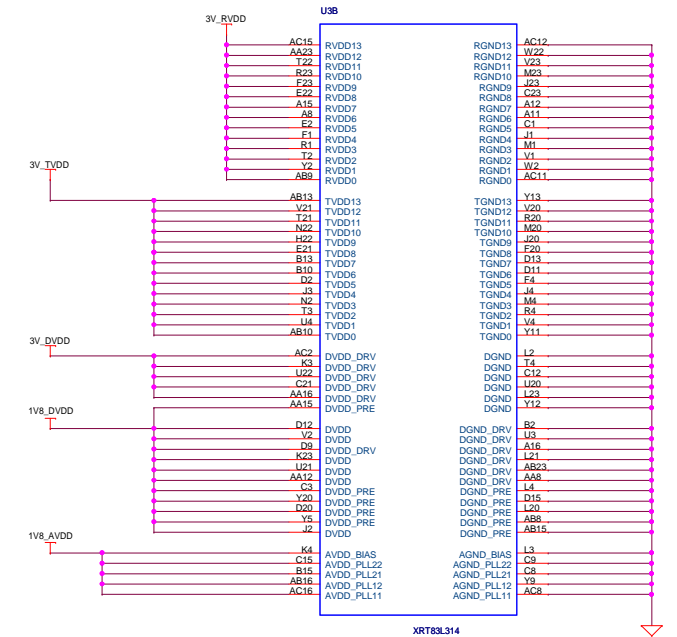
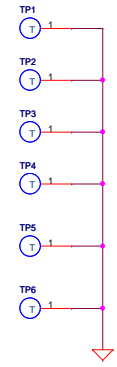


XRT83L314

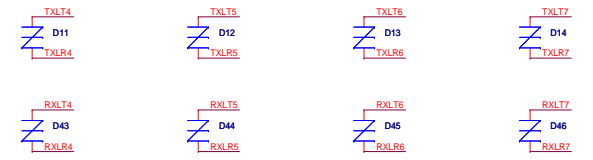
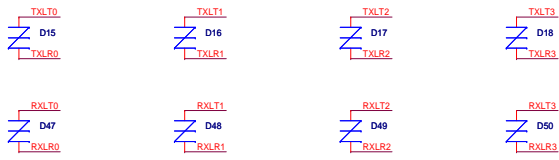


XRT83L314 POWER PINS

GROUND POINTS MOUNTING HOLES



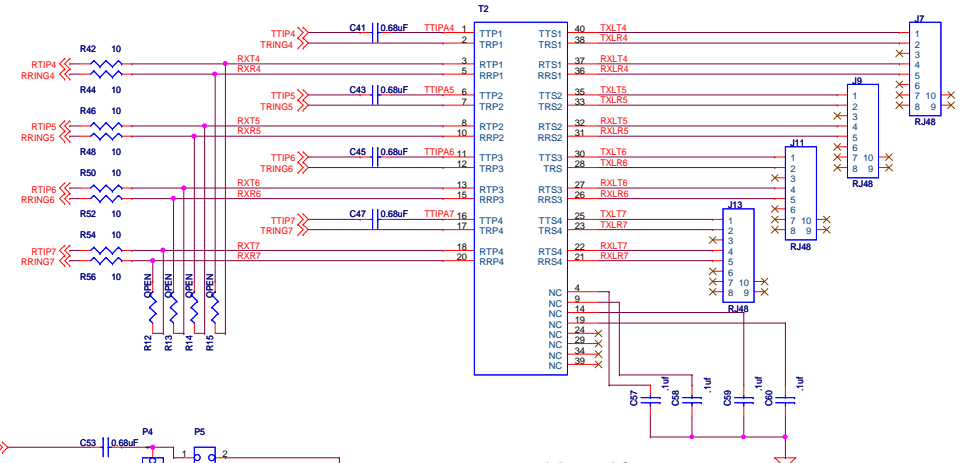
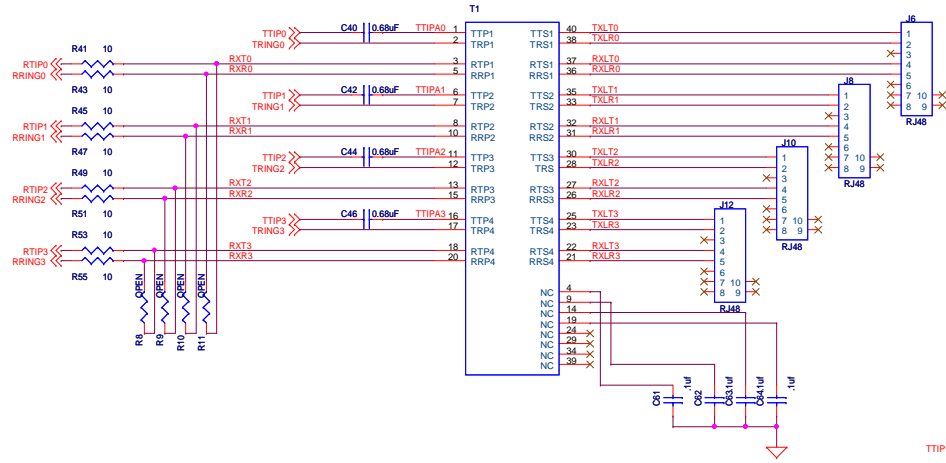
|  |  |              |
|--|--|--------------|
| Design File Name - H:\XRT83\SH514\SCHEMATIC\XRT83L314E.DSN |  |              |
| <b>EXAR AD Infnitum</b>                                    |  |              |
| File   | XRT83L314/L314/8K314/V8K314            |              |
| Size   | Document Number                        | Rev          |
| C  | XRT83L314/38 LONG HAUL, SHORT HAUL LIU | E            |
| Date:  | Friday, February 18, 2005              | Sheet 3 of 4 |



CHANNELS 0 - 3

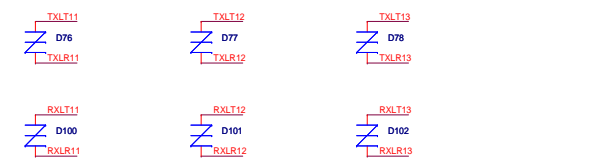
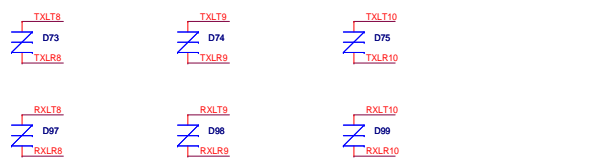
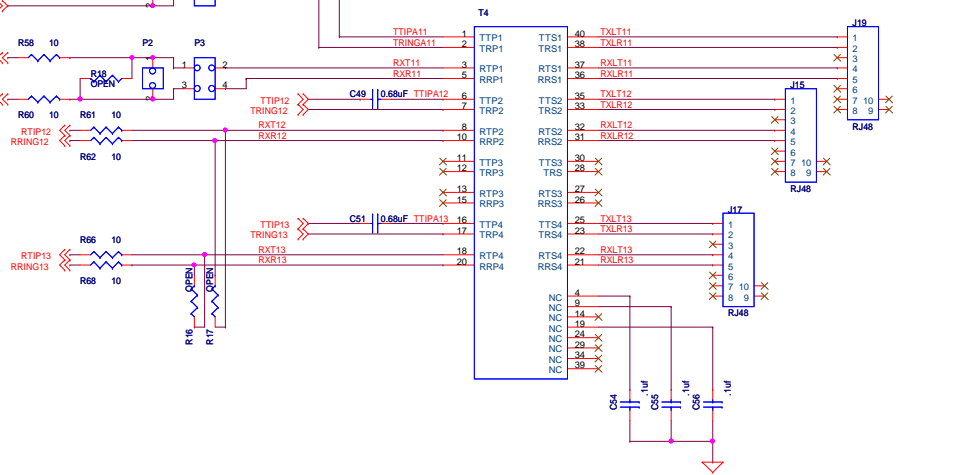
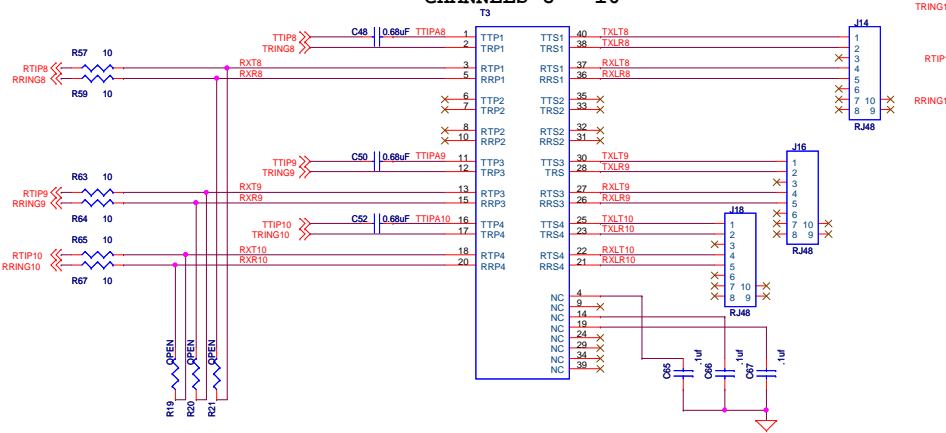
TRANSFORMER INTERFACE (SMD408-19)

CHANNELS 4 - 7



CHANNELS 8 - 10

CHANNELS 11 - 13



Design File Name - H\XRT83\SH514\SCHEMATIC\XRT831314E.DSN

|                   |   |              |
|-------------------|---|--------------|
| EXAR AD Infinitum |   |              |
| File              | XRT83SL314/L314/SR314/VS8314            |              |
| Size              | Document Number                         | Rev          |
| C                 | XRT83SL38/L38 LONG HAUL, SHORT HAUL LIU | E            |
| Date:             | Monday, July 25, 2005                   | Sheet 4 of 4 |